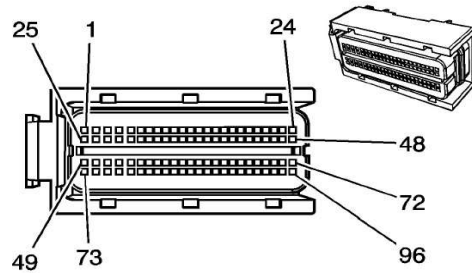


C1

Pin	Wire Color	Circuit No.	Function
1	OG	5421	Injector Positive Voltage Control
2	D-BU/WH	878	Fuel Injector 8 Control Group 4
3	OG/BK	877	Fuel Injector 7 Control Group 2
4	—	—	Not Used
5	YE	492	MAF Sensor Signal
6	OG/BK	469	Low Reference
7	PU	806	Crank Voltage
8	—	—	Not Used
9	BN	1174	Oil Level Switch Signal
10	GY/BK	87	Cruise Control Resume/Accel Switch Signal
11	GY/BK	6272	Low Reference
12	GY	2704	5-Volt Reference 3
13	TN	5928	5-Volt Reference 3
14	BN	6136	5-Volt Reference 2 - DPF Pressure Sensor
15	GY	2705	5-Volt Reference 2
16	—	—	Not Used
17	GY	2701	5-Volt Reference 1 - Intake Air Valve TPS
18	—	—	Not Used
19	L-GN	432	MAP Sensor Signal
20	YE	5947	Turbocharger Vane Position Sensor Signal
21	L-BU	1162	APP Sensor 2 Signal
22	YE/BK	508	Water in Fuel Indicator Control
23	BK	2755	Low Reference
24	PU/WH	2530	Fuel Pressure Regulator Solenoid Supply Voltage
25	PK	5425	Injector Positive Voltage Control
26	YE/BK	846	Fuel Injector 6 Control Group 2
27	PK/BK	1746	Fuel Injector 3 Control Group 4
28-29	—	—	Not Used
30	OG/BK	2919	Low Reference
31-32	—	—	Not Used
33	GY/BK	2931	Low Reference
34	D-BU	84	Cruise Control Set/Coast Switch Signal
35	YE/BK	6055	Low Reference - DPF Pressure Sensor
36	TN	2752	Low Reference - Intake Air Valve TPS
37	GY	2702	5-Volt Reference 3
38	TN	1274	5-Volt Reference 2 - APP2 5v Ref
39	TN	2917	5-Volt Reference 2
40	PU/WH	6270	5-Volt Reference 1
41	D-BU	6259	5-Volt Reference 1
42	TN	472	IAT Sensor 1 Signal
43	D-BU	6053	DPF Sensor Signal
44	TN/WH	331	Oil Pressure Sensor Signal
45	L-GN	2032	ECT Sensor 2 Signal
46	—	—	Not Used
47	TN	2761	Low Reference
48	D-BU	5930	Turbocharger Vane Position Control Solenoid Valve Control
49	PU	5423	Injector Positive Voltage Control
50	TN/WH	845	Fuel Injector 5 Control Group 3
51	L-BU/BK	844	Fuel Injector 4 Control Group 1
52	—	—	Not Used

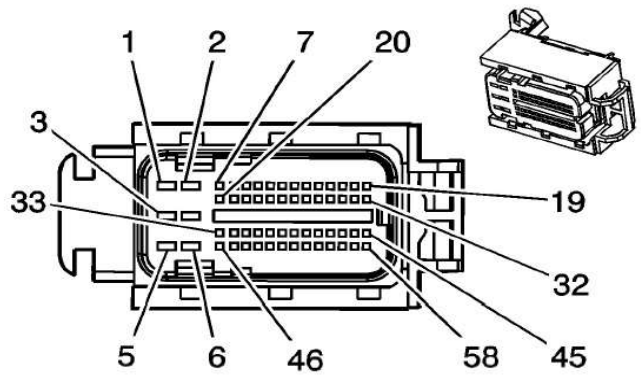
Engine Control Module (ECM) - C1



Pin	Wire Color	Circuit No.	Function
53	YE/BK	6120	Low Reference
54-55	—	—	Not Used
56	D-BU/WH	6265	CMP Sensor Signal
57	—	—	Not Used
58	L-GN	1478	Coolant Level Switch Signal
59	D-GN	534	High Idle Switch Signal
60	—	—	Not Used
61	GY	397	Cruise Control On Switch Signal
62	TN	552	Low Reference
63	OG/BK	5929	Low Reference
64	L-BU/BK	6813	Low Reference
65	L-BU	6118	IAT Sensor 2 Signal
66	—	—	Not Used
67	BN/WH	5763	EGR Valve Position Signal
68	YE	410	ECT Sensor 1 Signal
69	D-BU	5277	EGT Sensor 1 Signal
70	BN	6782	Low Reference - EGT 1
71	—	—	Not Used
72	YE	2834	Fuel Pressure Regulator Solenoid Control
73	YE	5422	Injector Positive Voltage Control
74	TN	1744	Fuel Injector 1 Control Group 1
75	L-GN/BK	1745	Fuel Injector 2 Control Group 3
76	RD/WH	840	Ignition 1 Voltage
77	RD/WH	440	Battery Positive Voltage
78	PU	1272	Low Reference - APP2 Low Ref
79	WH/BK	6271	CKP Sensor Signal
80	D-GN/WH	2523	A/C Request Signal (C60)
81-85	—	—	Not Used
86	TN	2753	Low Reference
87	—	—	Not Used
88	BN	6266	Low Reference
89-90	—	—	Not Used
91	D-GN	485	AI Sensor Signal
92	YE	2918	FRP Sensor Signal
93	L-BU	5377	EGT Sensor 2 Signal
94	BN/WH	6783	Low Reference EGT 2
95	—	—	Not Used
96	WH	5931	Low Reference

C2			
Pin	Wire Color	Circuit No.	Function
1	RD/WH	740	Ignition 1 Voltage
2	BK/WH	1551	Ground
3	RD/WH	740	Ignition 1 Voltage
4	BK/WH	1551	Ground
5	RD/WH	740	Ignition 1 Voltage
6	BK/WH	1551	Ground
7	BN	582	AI Motor Control 2
8	—	—	Not Used
9	D-GN	1049	Class 2 Serial Data
10-11	—	—	Not Used
12	TN	1465	Fuel Pump Relay Control
13-14	—	—	Not Used
15	WH/BK	1164	5-Volt Reference 3 - APP1 5v Ref
16	D-BU	507	Wait to Start Indicator Control
17	OG	2013	High Idle Indicator Control
18	—	—	Not Used
19	YE	5991	ECM Relay Control
20	YE	581	AI Motor Control 1
21	PK	439	Ignition 1 Voltage
22	PU	420	TCC Brake Switch/Cruise Control Release Signal
23	OG	225	Generator Turn On Signal
24	BN/WH	7076	Charge Indicator Control (KD9/YF2) AUX Alternator
25	D-GN	603	A/C Low Pressure Switch Signal (C60)
26-28	—	—	Not Used
29	BN	1271	Low Reference - APP1 Low Ref
30	BN/WH	419	MIL Control
31	D-GN/WH	459	A/C Compressor Clutch Relay Control (C60)
32	YE/BK	625	Starter Enable Relay Control
33	OG/BK	5764	EGR Motor High Control
34	TN	2759	Low Reference - Fuel Level Sensor
35	—	—	Not Used
36	PU	1589	Fuel Level Sensor Signal
37	—	—	Not Used
38	GY	23	Generator Field Duty Cycle Signal
39	OG/BK	1786	Park/Neutral Signal
40	L-BU	1320	Stop Lamp Switch Signal (Cutaway) or CHMSL Supply Voltage/Stop Lamp Supply Voltage
41	D-BU	6863	Low Reference - Water In Fuel Sensor
42-43	—	—	Not Used
44	TN	2501	High Speed GMLAN Serial Data Bus (-)
45	L-BU	2221	Signal High - Rear
46	L-GN/BK	5746	EGR Motor Low Control
47	BN	6062	Low Reference
48	YE	1578	Fuel Temperature Sensor Signal
49	D-BU	1161	APP Sensor 1 Signal
50-53	—	—	Not Used
54	YE/BK	1827	Vehicle Speed Signal (128k?)
55	—	—	TACH SIGNAL ADD PIN FOR TACHOUTPUT 5V LOW 4CYL SIGNAL ON DAKOTA DASH
56	PK	1020	Ignition 0 Voltage
57	TN/BK	2500	High Speed GMLAN Serial Data Bus (+)
58	—	—	Not Used

Engine Control Module (ECM) - C2



28 FAN RELAY ON KODIAK